

product description: Designed for use with assembly profiles MP 41X21 and MP 41X41, or with ceiling profiles SPL and SPS.

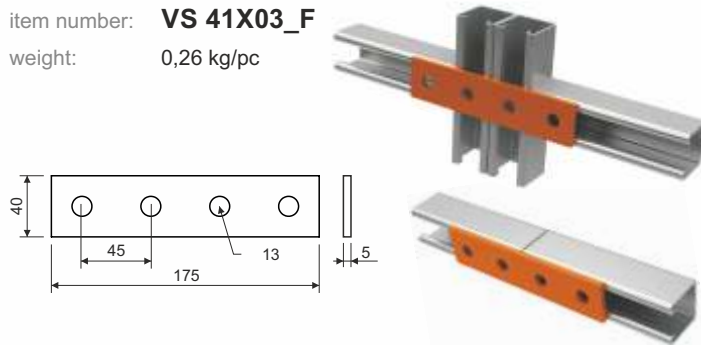
Fastening is performed using the bolts S 10X20, S10X25, S 10X30, S 12X20, S 12X25 or S 12X30 and sliding nuts PM 41 M 10 or PM 41 M 12.

surface finish: F - Hot Dip Galvanized according to EN ISO 1461, zinc-layer 55 µm (min. 45 µm)

storage: EN 60721-3-1

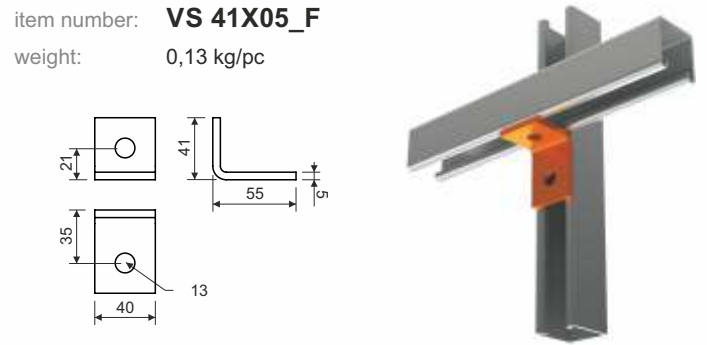
item number: **VS 41X03_F**

weight: 0,26 kg/pc



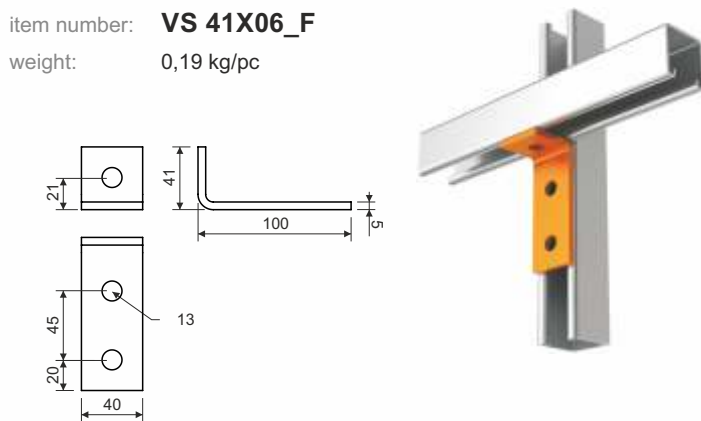
item number: **VS 41X05_F**

weight: 0,13 kg/pc



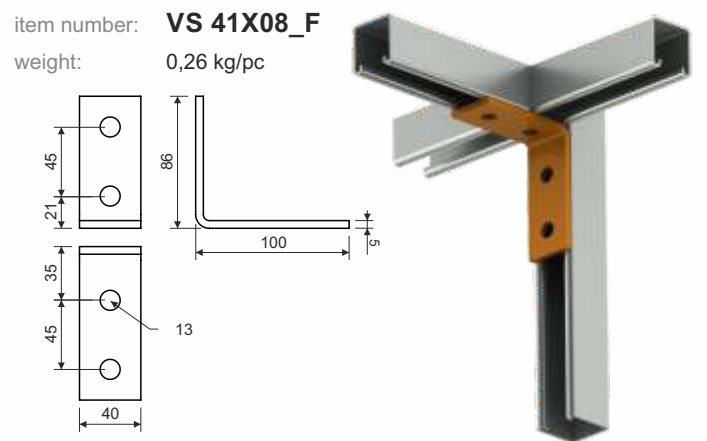
item number: **VS 41X06_F**

weight: 0,19 kg/pc



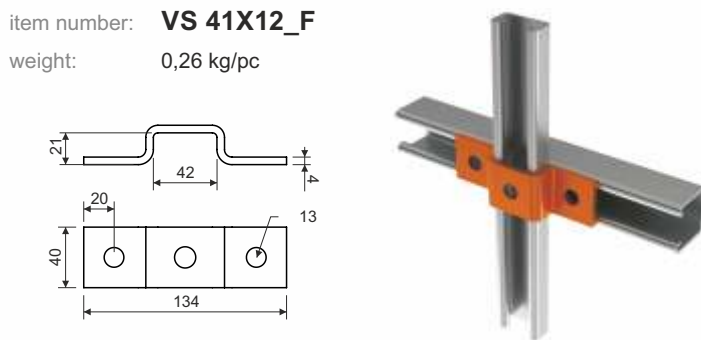
item number: **VS 41X08_F**

weight: 0,26 kg/pc



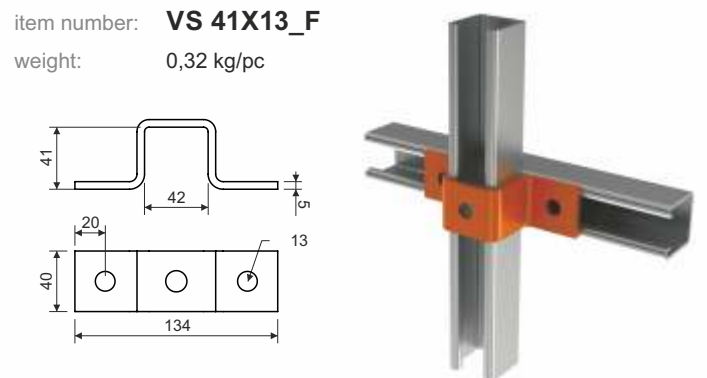
item number: **VS 41X12_F**

weight: 0,26 kg/pc



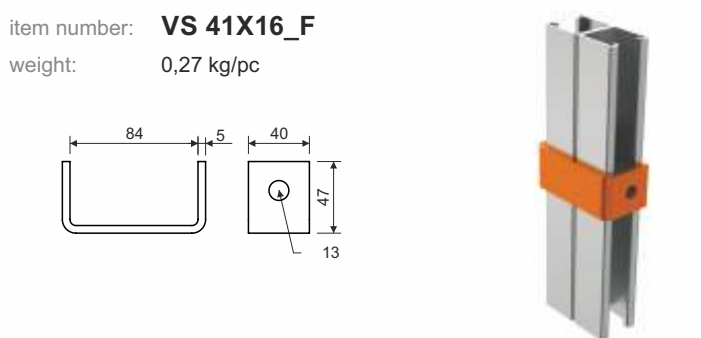
item number: **VS 41X13_F**

weight: 0,32 kg/pc



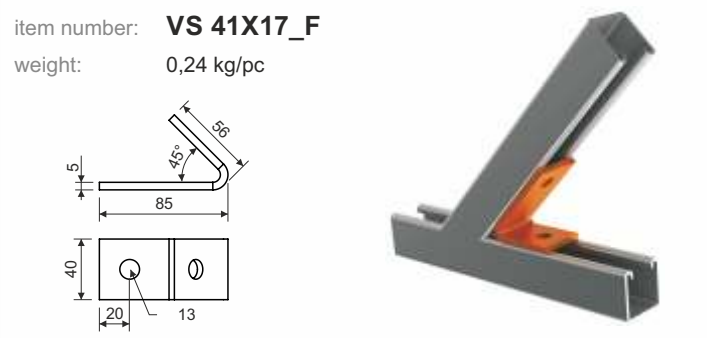
item number: **VS 41X16_F**

weight: 0,27 kg/pc



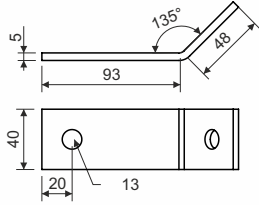
item number: **VS 41X17_F**

weight: 0,24 kg/pc



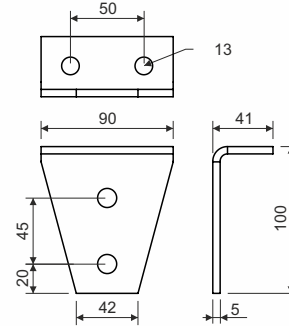
item number: **VS 41X18_F**

weight: 0,21 kg/pc



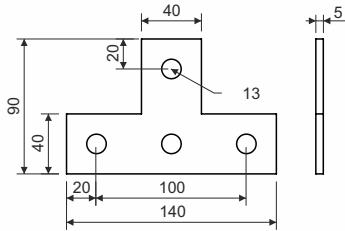
item number: **VS 41X20_F**

weight: 0,35 kg/pc



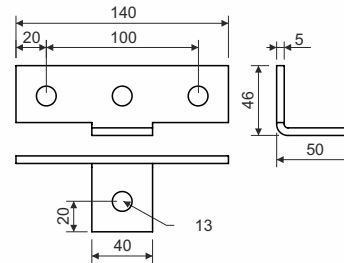
item number: **VS 41X27_F**

weight: 0,29 kg/pc



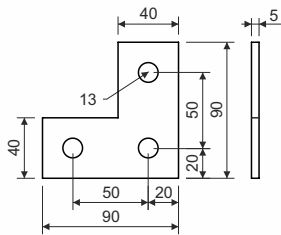
item number: **VS 41X31_F**

weight: 0,34 kg/pc



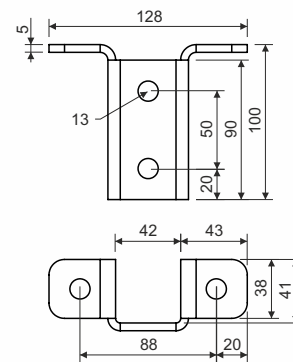
item number: **VS 41X36_F**

weight: 0,21 kg/pc



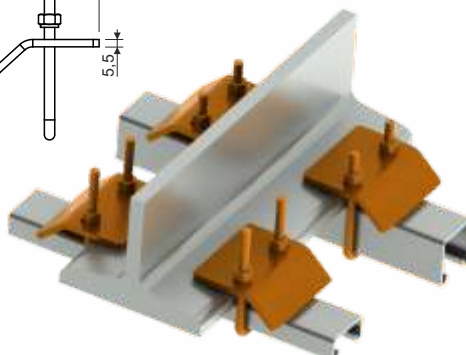
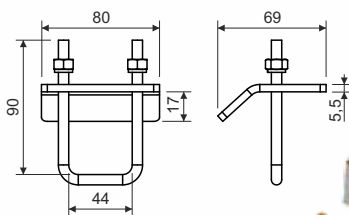
item number: **VS 41X37_F**

weight: 0,47 kg/pc



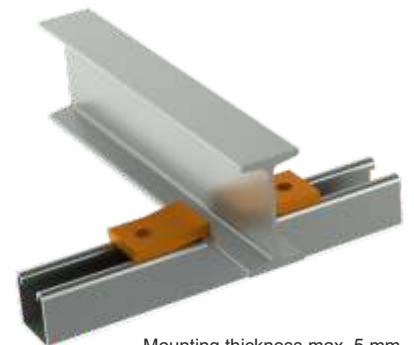
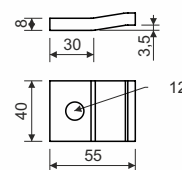
item number: **VS 41X41_F**

weight: 0,37 kg/pc



item number: **VS 41X43_F**

weight: 0,17 kg/pc



Mounting thickness max. 5 mm.